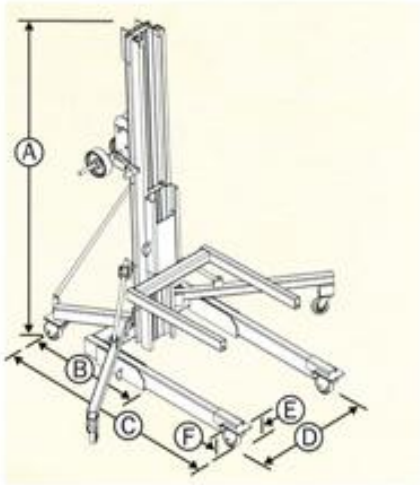


Material Lift: Model SLA25 – Specifications



Specifications

Model	SLA-15		SLA-20		SLA-25	
	Metric	Imperial	Metric	Imperial	Metric	Imperial
(A) Height - stowed	2 m	78 1/2 in	2 m	78 1/2 in	2 m	78 1/2 in
(B) Length - stowed	74 cm	29 in	74 cm	29 in	79 cm	31 in
(C) Length - operating	1.88 m	74 in	2.08 m	82 in	2.08 m	82 in
Width - standard base stowed ¹	80 cm	31 1/2 in	80 cm	31 1/2 in	80 cm	31 1/2 in
(D) Width - straddle base min ¹	80 cm	31 1/2 in	—	—	—	—
Width - straddle base max ¹	1.47 m	58 in	—	—	—	—
Width - straddle base max inside	1.27 m	50 in	—	—	—	—
(E) Load height - min	15 cm	6 in	15 cm	6 in	15 cm	6 in
(F) Ground clearance	5 cm	2 in	5 cm	2 in	5 cm	2 in
Load capacity	363 kg	800 lb	363 kg	800 lb	295 kg	650 lb
Weight - standard base	144 kg	317 lb	184 kg	405 lb	204 kg	450 lb
Weight - straddle base	163 kg	360 lb	—	—	—	—
Working Height						
Standard forks						
forks down	4.5 m	14 ft 7 1/2 in	5.9 m	19 ft 6 in	7.4 m	24 ft 4 in
forks up	5 m	16 ft 4 in	6.5 m	21 ft 2 1/2 in	7.9 m	26 ft 1/2 in
Adjustable forks						
forks down	4.5 m	14 ft 7 1/2 in	5.9 m	19 ft 6 in	7.4 m	24 ft 4 in
forks up	5 m	16 ft 4 in	6.5 m	21 ft 2 1/2 in	7.9 m	26 ft 1/2 in
Flat forks						
Flat forks	4.5 m	14 ft 7 1/2 in	—	—	—	—
Boom ²	4.8 m	15 ft 7 1/2 in	6.2 m	20 ft 6 in	7.4 m	24 ft 4 in
Load platform ³						
forks down	4.5 m	14 ft 7 1/2 in	5.9 m	19 ft 6 in	7.4 m	24 ft 4 in
forks up	5 m	16 ft 4 in	6.5 m	21 ft 2 1/2 in	8 m	26 ft 5 in
Load Handling Attachments						
	Depth		Weight			
	Metric	US	Metric	US		
Standard forks	6 cm	2 1/2 in	17 kg	38 lb		
Adjustable forks	6 cm	2 1/2 in	24 kg	52 1/2 lb		
Fork extensions	8 cm	3 in	2 kg ea	4 1/2 lb ea		
Flat forks	4 cm	1 1/2 in	33 kg	73 lb		
Boom	17 cm	6 1/2 in	16 kg	34 1/2 lb		
Pipe cradle ⁴	15 cm	6 in	4 1/2 kg	10 lb		
Load platform	6 cm	2 1/2 in	12 kg	26 1/2 lb		