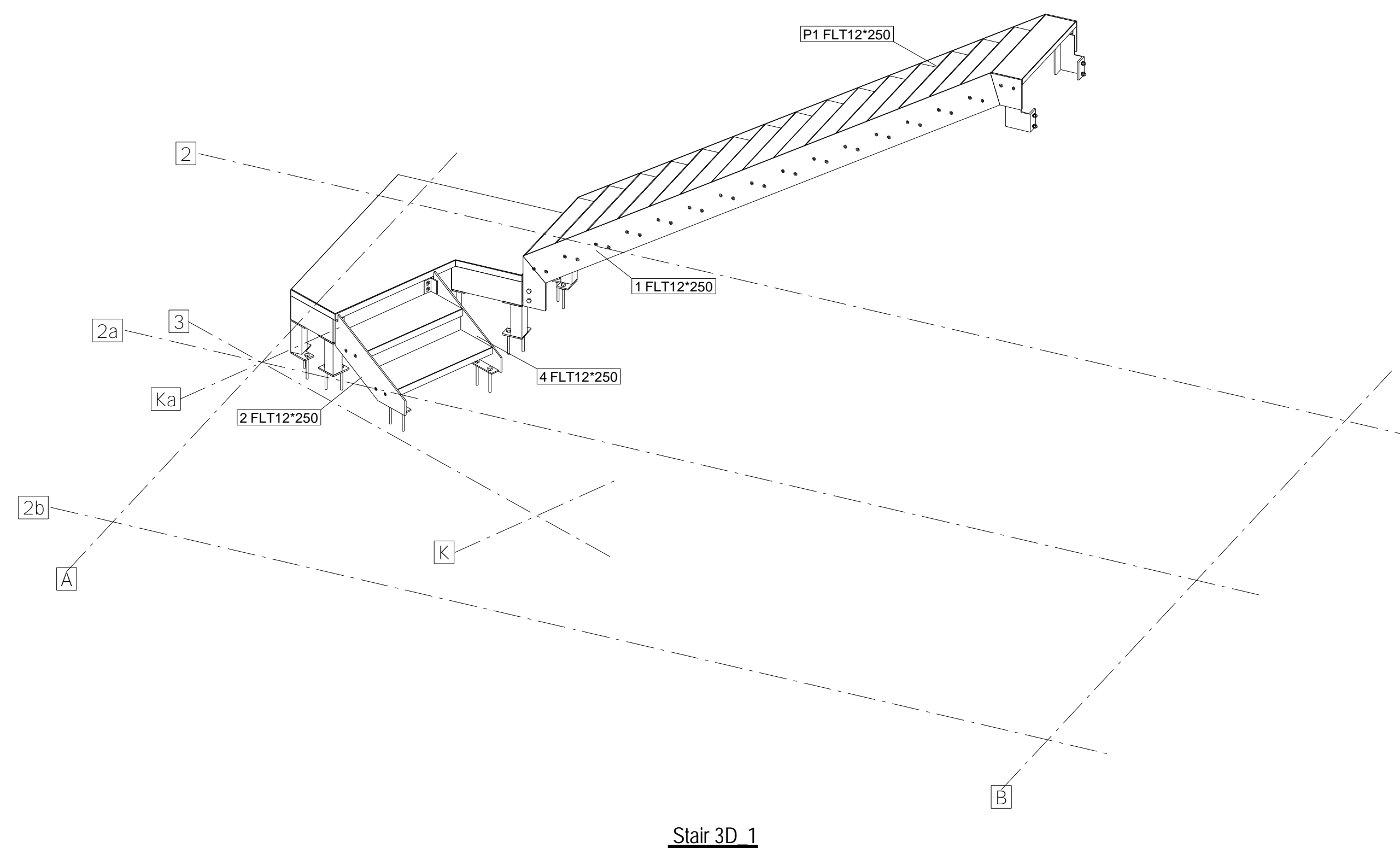
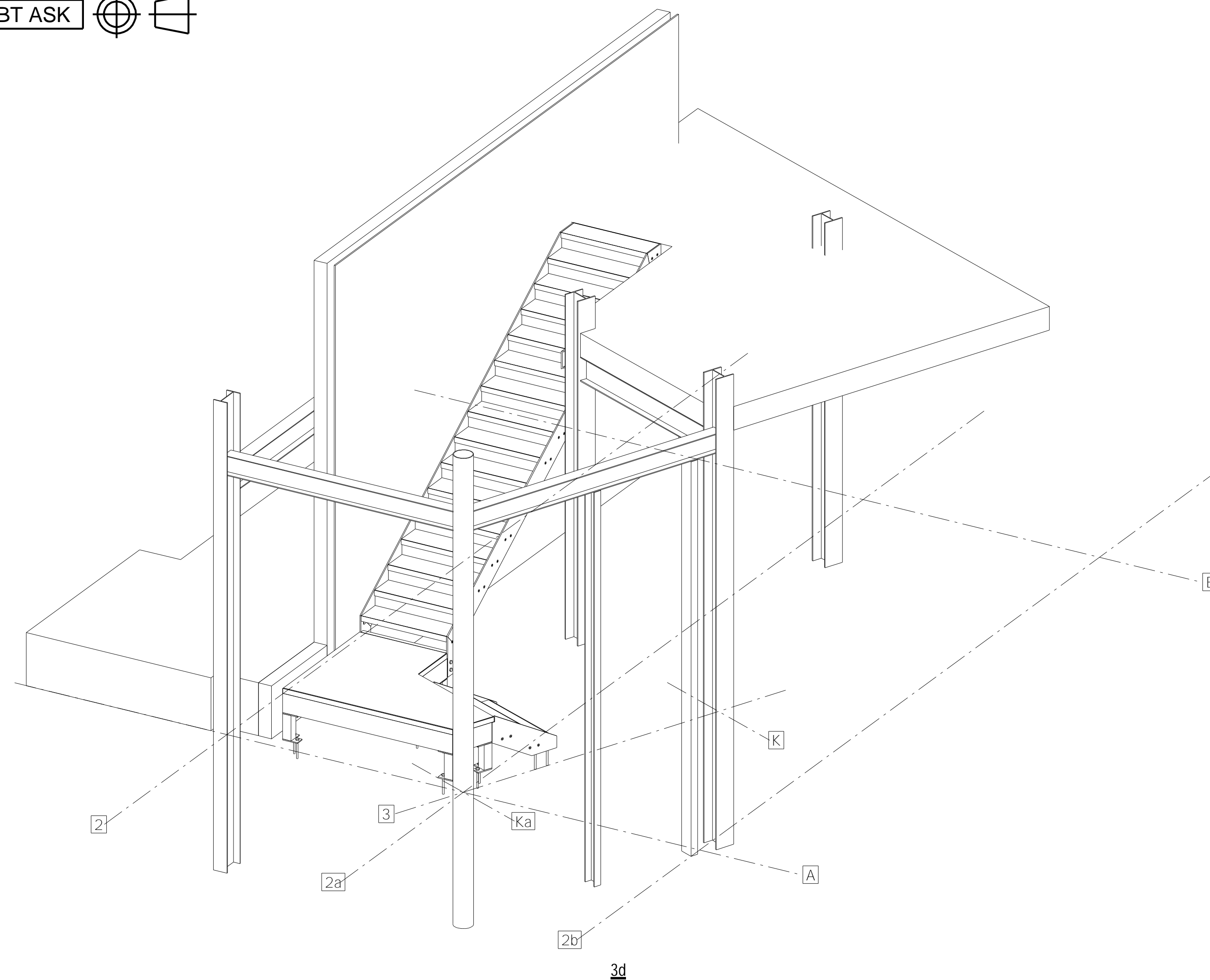
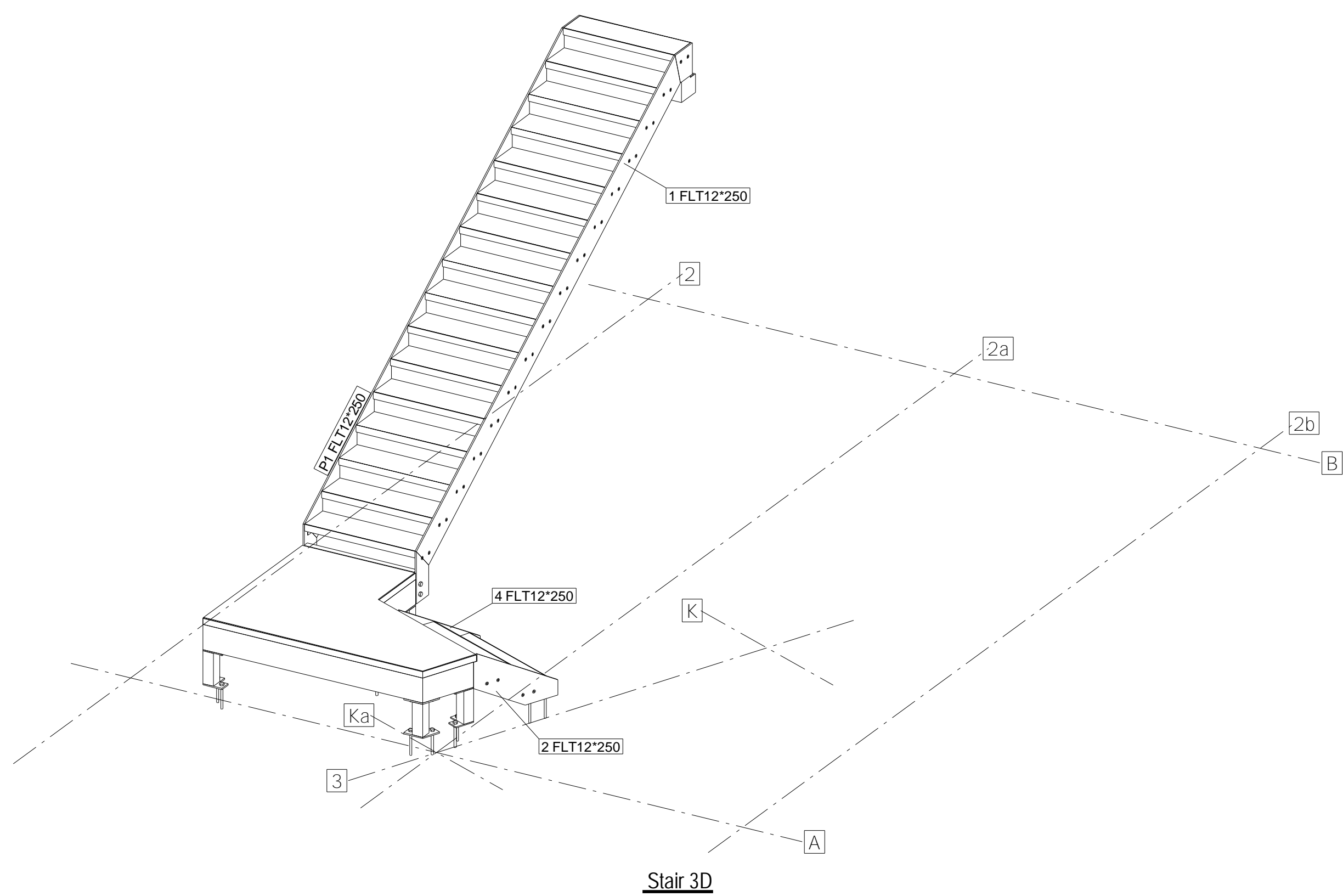
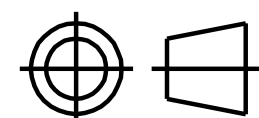


IF IN DOUBT ASK



P1	ISSUED FOR APPROVAL	10.05.06
A	ISSUED FOR CONSTRUCTION	28.06.2006
REV MARK	REVISION DESCRIPTION	REVISION DATE

DMW DMorgan Welding Limited
 Unit 2 - 70 Station Road Whitstable Kent. CT5 1LF
 T: 01227 273022 F: 01227 772358

DRAWING TITLE	3 D Views		
CONTRACT	BMW Bromley, Strair 1		
DRAWN BY	CONSTRUCTION	DATE	09.05.2006
CONTRACT No.	P790	SCALE	1/30
DRAWING No.	P790	/ GA-01	A