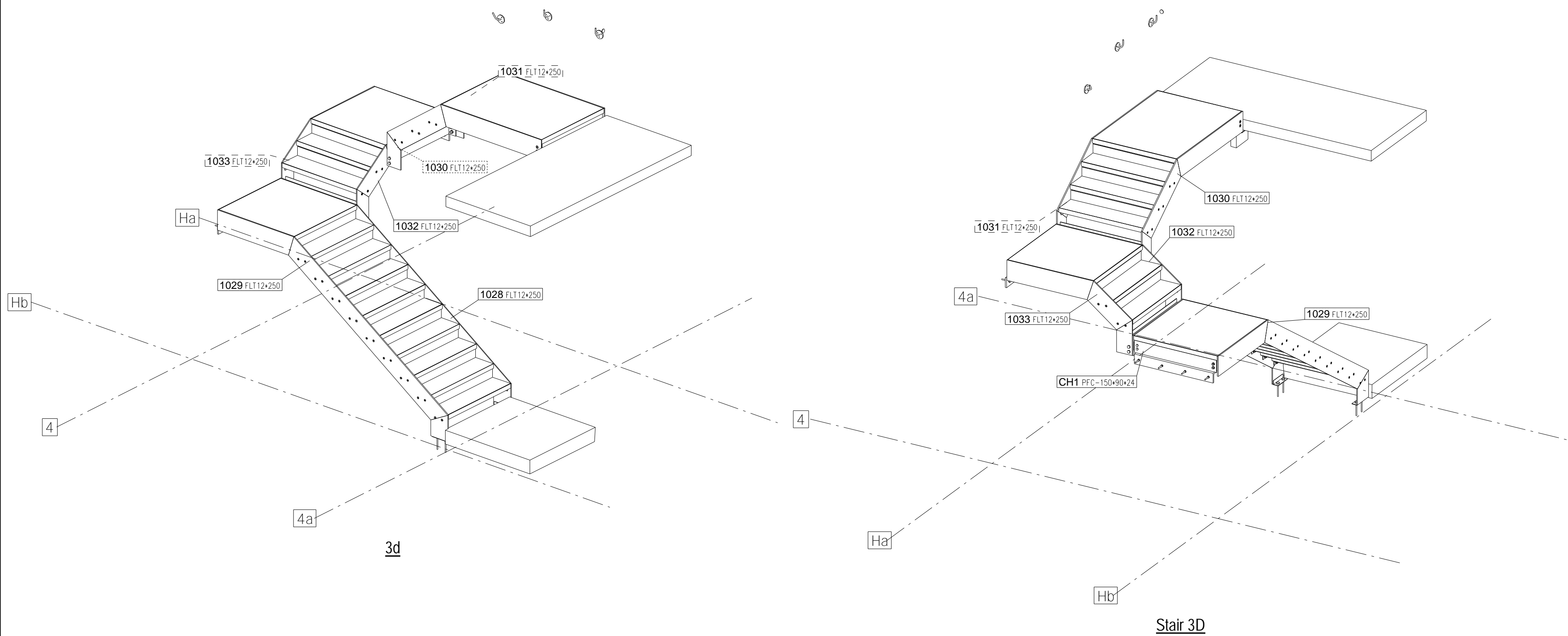
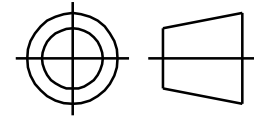


IF IN DOUBT ASK



P2	UPDATED TO SUIT COMMENTS. ISSUED FOR APPROVAL	14.06.2006
P1	ISSUED FOR APPROVAL	12.05.2006
A	ISSUED FOR CONSTRUCTION	05.07.2006
REV MARK	REVISION DESCRIPTION	REVISION DATE

**DMW** DMorgan Welding Limited  
 Unit 2 - 70 Station Road Whitstable Kent. CT5 1LF  
 T: 01227 273022 F: 01227 772358

DRAWING TITLE	3 D Views		
CONTRACT	BMW, Bromley, Stair 2		
DRAWN BY	CONSTRUCTION	DATE	11.05.2006
CONTRACT No.	P790A	SCALE	1/35
DRAWING No.	P790A	GA-01	A