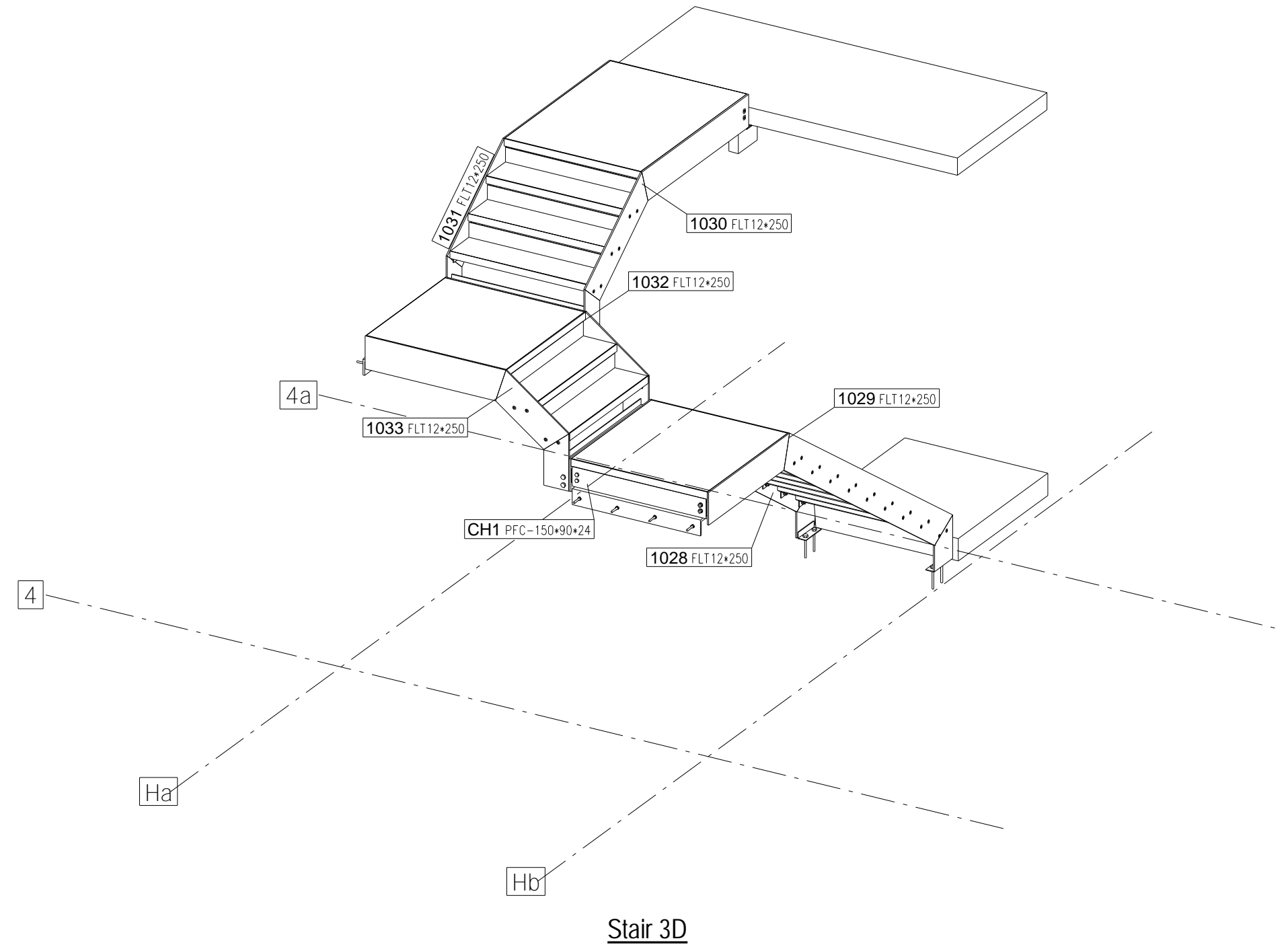
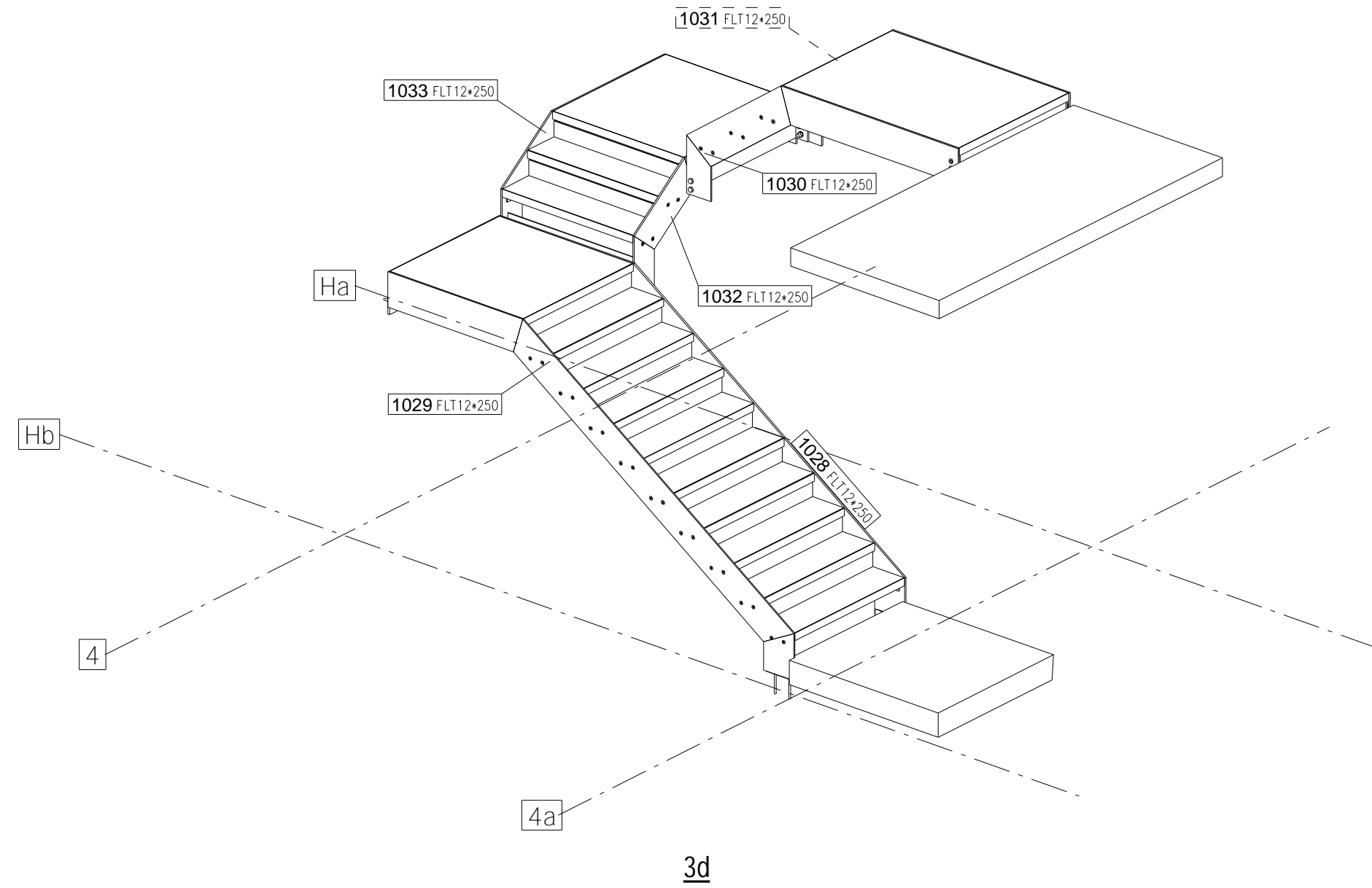
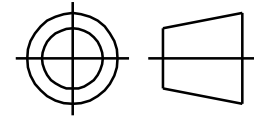



IF IN DOUBT ASK



Stair 3D

P2	UPDATED TO SUIT COMMENTS. ISSUED FOR APPROVAL	14.06.2006
P1	ISSUED FOR APPROVAL	12.05.2006
A	ISSUED FOR CONSTRUCTION	05.07.2006
REV MARK	REVISION DESCRIPTION	REVISION DATE

 DMorgan Welding Limited Unit 2 - 70 Station Road Whitstable Kent. CT5 1LF T: 01227 273022 F: 01227 772358	