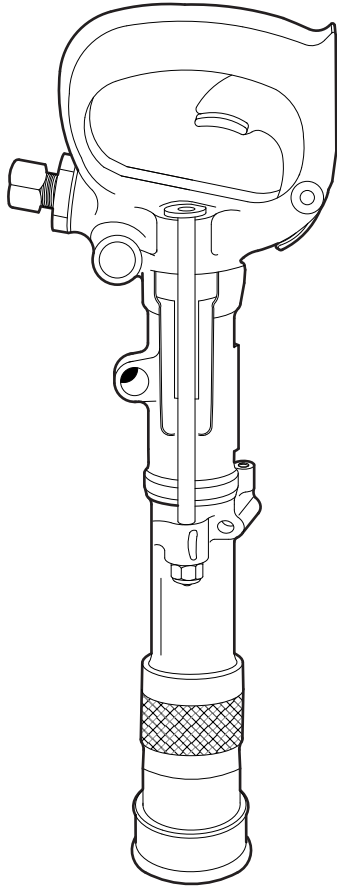




# **Spare parts list**

## **CP 0009 A, F, C, CS, ES, AC Rotary drill**





**2007-07**

**No. 9800 0515 01b**

© Copyright Chicago Pneumatic Construction Tools  
STOCKHOLM • SWEDEN



## Introduction

Welcome! Protect your investment in the world's finest air tools. Use genuine CP replacement parts.

The purchase of replacement parts for your CP tools deserves the same good judgment that resulted in the purchase of the tools themselves. Each genuine CP part is made from carefully selected and inspected material, subjected to sophisticated machinery and finishing processes and heat-treated to produce just the right combination of hardness, ductility and impact resistance for its intended use. Each part is identical to, and made concurrently with, parts used in production tools.

The use of parts other than genuine CP replacement parts can lead to substandard performance, early failure, possible damage of other parts and, in some instances, unsafe conditions.

Use only authorized parts. Any damage or malfunction caused by unauthorized parts will not be covered by Warranty or Product Liability.

Any machine modification not approved by Chicago Pneumatics may result in serious injuries to yourself or others.

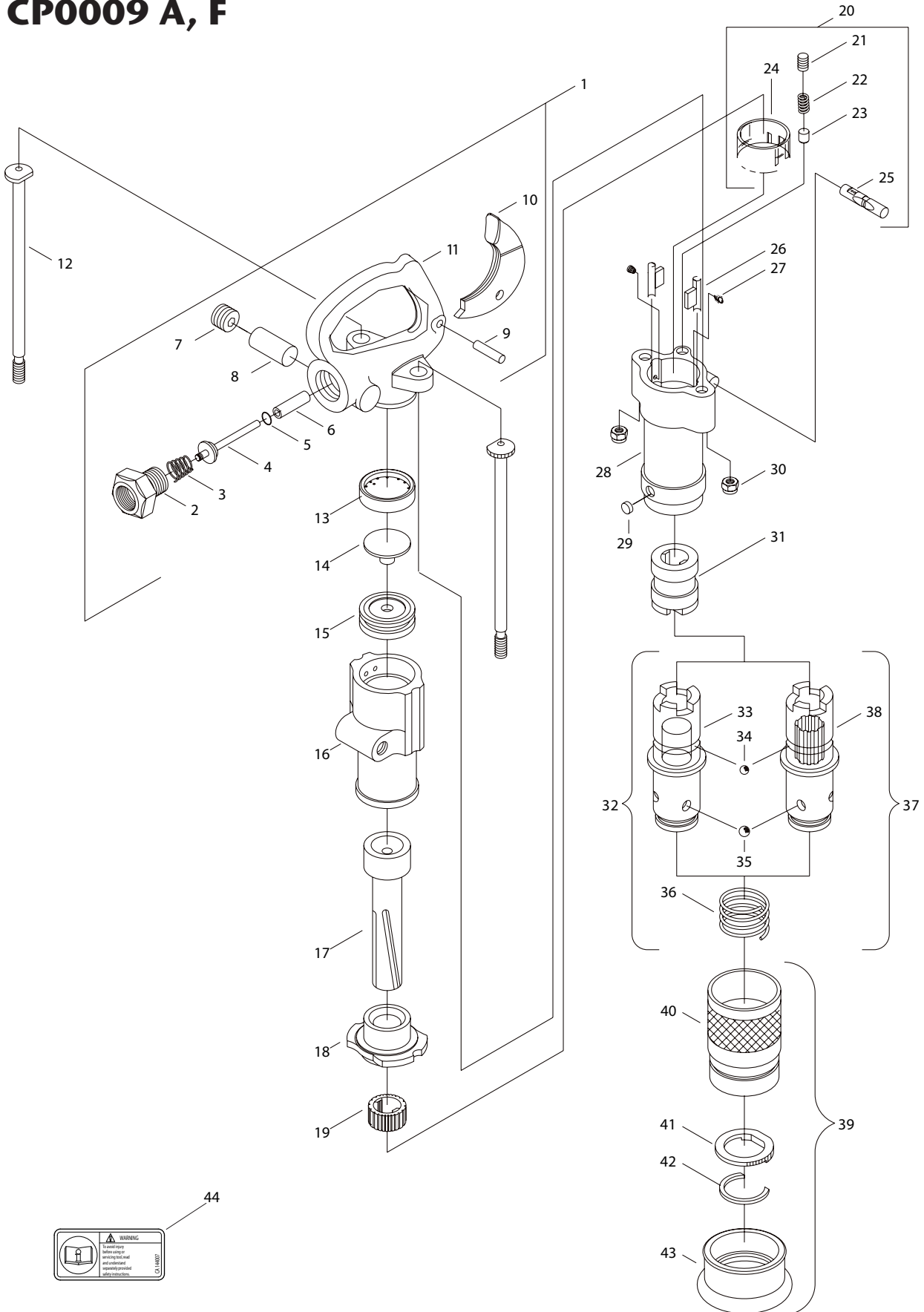
To reduce the risk of injury, read and understand the relevant safety and operating instructions before operating the machine.

Before undertaking any maintenance or changing the working tool on pneumatic machines, always switch off the air supply and bleed the machine by depressing the start and stop device. Then disconnect the air hose from the machine.

CP 0009 A, F, C, CS, ES, AC is a machine designed for light demolition and plant work. The machine can be used both horizontally and vertically. No other use is permitted.



# CP0009 A, F



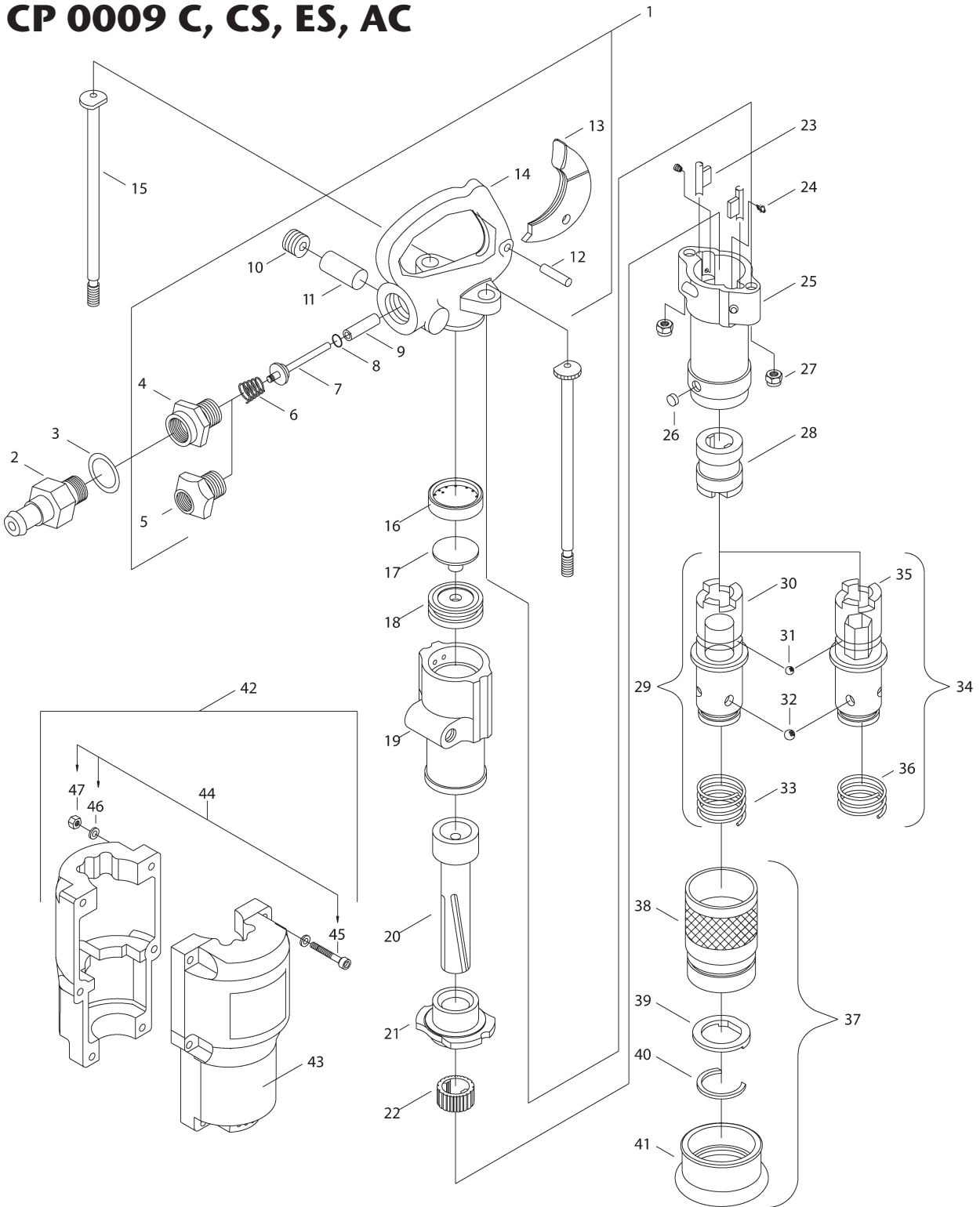


No.	Ordering No.	Quantity	Description
1	R278018	1	Handle complete (includes item Nos. 2, 3, 4, 7, 8, 9, 10 & 11)
2	R085893	1	Bushing - air inlet 3/8" NPTF (conical head)
3	R085596	1	Spring - throttle valve
4	R086329	1	Valve - throttle
5	R086098	1	Seat - throttle Valve
6	R085599	1	Bushing - throttle Valve
7	C077941	1	Plug - pipe (3/8")
8	R085895	1	Felt - oil chamber
9	A043627	1	Pin - throttle lever
10	F027853	1	Lever - throttle
11	—*)	1	Handle (includes item No. 5 & 6)
12	F034249	2	Bolt - thru
13	R085896	1	Rear valve seat
14	R085897	1	Valve
15	R085898	1	Front valve seat
16	R085886	1	Cylinder
17	F816122	1	Piston
18	R051356	1	Cylinder bushing
19	F816123	1	Ratchet ring
20	Z8294412	1	Rotation release set (includes item No. 21, 22, 23, 24 & 25)
21	—*)	1	Plug - pipe (1/16 NPTF)
22	—*)	1	Spring - plunger
23	—*)	1	Plunger - shifter detent
24	—*)	1	Sleeve - shifter
25	—*)	1	Plunger - shifter
26	R051355	2	Pawl
27	R085890	2	Spring - pawl
28	F816120	1	Fronthead
29	F061888	1	Plug - ball retainer
30	S013073	2	Nut - thru bolt
31	R085900	1	Chuck sleeve
32	Z8366412	1	Round chuck complete (includes item No. 33, 34, 35 & 36)
33	—*)	1	Chuck (CP 9A)
34	—*)	17	Chuck retainer ball (only available as set Z8767412 incl. 17 balls)
35	—*)	4	Ball - steel (5/16" Dia) (only available as set Z8768412 incl. 4 balls)
36	R086605	1	Spring - sleeve retainer
37	Z8369412	1	Spline chuck complete (includes item No. 38, 34, 35 & 36 )
38	—*)	1	Chuck - spline (CP 9F)
39	Z8375412	1	Retainer sleeve (includes item No. 40, 41, 42 & 43)
40	—*)	1	Retainer
41	F826683	1	Retainer plate
42	F826893	1	Retainer ring
43	F815343	1	Dust excluder
44	CA144007	1	Safety label

—\*) Not delivered separately



# CP 0009 C, CS, ES, AC





No.	Ordering No.	Quantity	Description
1	F034496	1	Handle complete (Includes item No.4, 5, 6, 7, 10, 11, 12 & 13) (CP 0009 C, CS & ES)
2	F064695	1	Hose tail ( CP 9C,CS & ES )
3	F064696	1	Gasket (CP 9C, CS & ES)
4	F064697	1	Air inlet bushing - 3/8" BSP collared head (CP 9C, CS & ES)
5	R085893	1	Air inlet bushing - 3/8" NPTF conical head (CP 0009AC)
6	R085596	1	Throttle valve spring
7	R086329	1	Throttle valve
8	R086098	1	O-ring (Special)
9	R085599	1	Throttle valve bushing
10	C077941	1	Oil plug
11	R085895	1	Oil chamber felt
12	A043627	1	Throttle lever pin
13	F027853	1	Throttle lever
14	—*)	1	Handle (Includes item No. 8 & 9)
15	F034249	2	Through bolt
16	R085896	1	Rear valve seat
17	R085897	1	Valve
18	R085898	1	Front valve seat
19	R085886	1	Cylinder
20	F816122	1	Piston
21	R085887	1	Cylinder bushing
22	F816123	1	Ratchet ring
23	F034066	2	Pawl
24	R085890	2	Pawl spring
25	R136592	1	Fronthead
26	F061888	1	Ball retainer plug
27	S013073	2	Through bolt nut
28	R085900	1	Chuck sleeve
29	Z8366412	1	Round chuck complete (Includes item No.30, 31, 32 & 33)
30	F826892	1	Chuck - Round (CP0009C, CS & AC)
31	Z8767412	17	Chuck retainer ball (Only available as set incl. 17 balls)
32	Z8768412	4	Steel retainer ball (only available as set incl.4 balls)
33	R086605	1	Retainer sleeve spring
34	Z8368412	1	Hex chuck complete (Includes item Nos. 31,32,35 & 36)
35	F816159	1	Chuck (CP 0009 ES)
36	F816162	1	Retainer sleeve spring
37	Z8375412	1	Retainer sleeve (Includes item No.38, 39, 40 & 41)
38	—*)	1	Retainer
39	F826683	1	Retainer plate
40	F826893	1	Retainer ring
41	F815343	1	Dust excluder
42	F826972	1	Muffler complete (Includes item Nos.43, 45, 46 & 47) (Supplied with CP0009CS & ES)
43	—*)	1	Muffler
44	Z3631412	1	Muffler Screw Set (Includes item No.45, 46 & 47)
45	—*)	6	Capscrew
46	—*)	12	Washer
47	—*)	6	Nut

—\*) Not delivered separately



**2007-07**

**No. 9800 0515 01b**

© Copyright Chicago Pneumatic Construction Tools  
STOCKHOLM • SWEDEN

**Chicago Pneumatic Construction Tools**