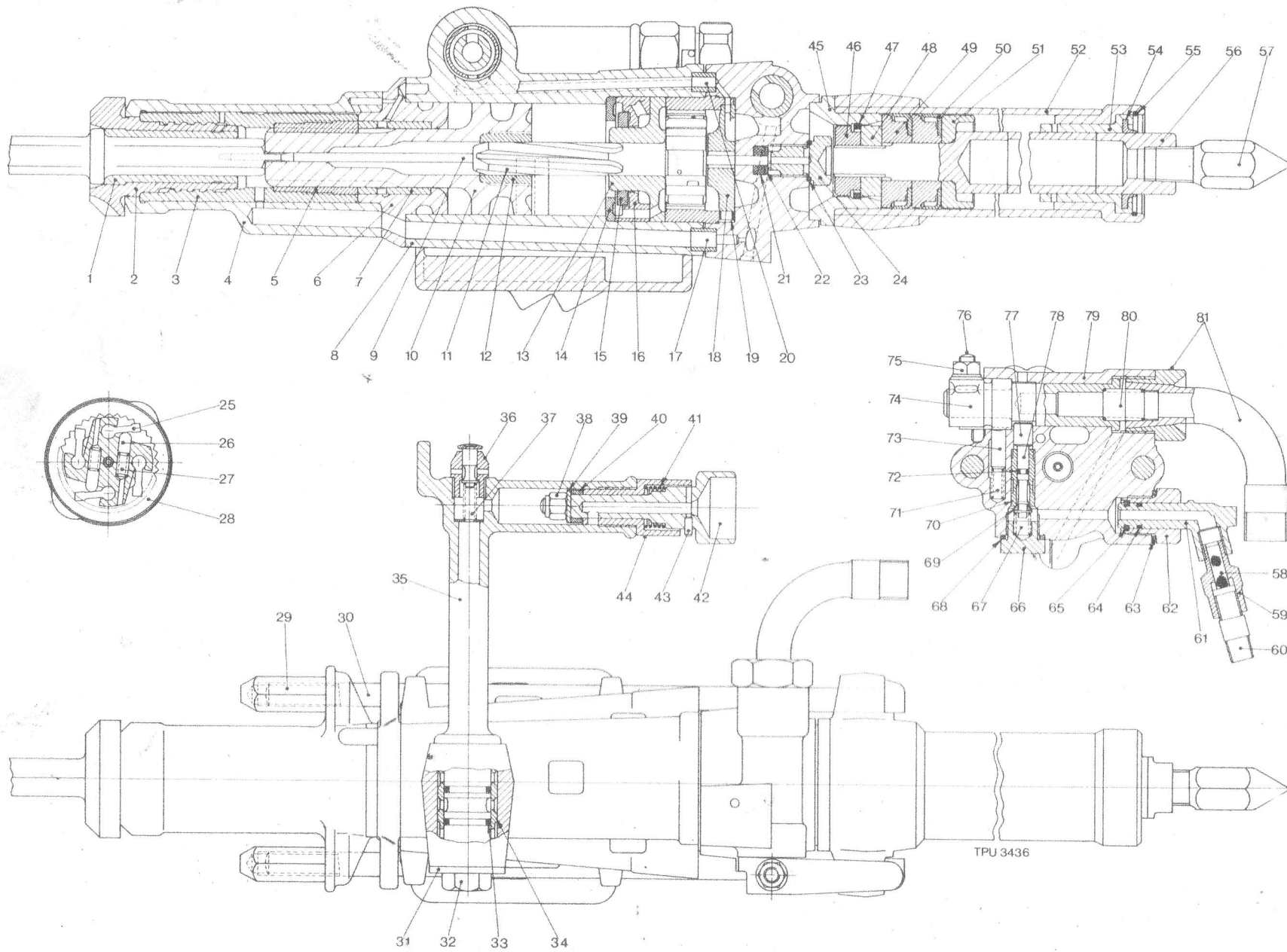


SILVER 303SM STOPER



STANDARD BUILD: 2½ INCH BORE x 31 INCH SINGLE TELESCOPIC FEED LEG – INTEGRAL METAL MUFFLER – 1 IN 30 ROTATION – 7/8 INCH HEXAGON CHUCK BUSH (FOR 4¼ INCH COLLARED STEEL) IN COWLED OPEN CHUCK

Ref. No.	Part No.	Name of Part	Qty.	Ref. No.	Part No.	Name of Part	Qty.
1	3065C06230	Chuck Bushing	1	43	902010505	Pin (3/16 in dia x ½ in long, groverlok)	1
2	3065D03350	Chuck	1	44	3204C00430	Bushing - Regulating Valve	1
3	3065D03371	Chuck Driver	1				
4	3204D00190	Front Cover	1		3204A00300	Feed Leg Parts Group	1
5	3065B01091	Guide Nut	1	45	3065C03110	Back Head Washer	1
6	3202B00190	Cylinder Washer (with liner)	1	46	3065C03130	Lock Nut - Piston	1
7	3202B00030	Liner - Cylinder Washer	1	47	3065C03150	Retaining Ring - Piston	1
8	3204D00380	Cylinder	1	48	3065C03140	Nut - Piston	1
9	3058B00780	Water Tube	1	49	3204B00250	Washer - Packing (front)	2
10	3065D00041	Piston	1	50	3127B01070	Seal - Piston	2
11	3065C00550	Rifle Bar	1	51	3204B00260	Washer - Packing (rear)	1
12	3065B00051	Rifle Nut	1	52	3204C00230	Feed Cylinder	1
13	3202C00110	Back End - Valve Chest	1	53	3204B00240	Bushing - Feed Cylinder	1
14	3202B00100	Front End - Valve Chest	1	54	3201B03140	Seal (wiper)	1
15	3202B00080	Valve	1	55	3201A03270	Retaining Ring	1
16	3202C00090	Valve Chest	1	56	3201C03061	Piston	1
*	902001702	Dowel Pin (5/16 in dia x ¾ in long)	1	57	3046B00861	Spike	1
17	3202B00160	Connector - Blowing Port	1		3201A00240	Water Swivel Assembly	1
18	3202C00051	Collector (lubrication)	1	58	3201B00290	Filter	1
19	902010580	Dowel Pin (7/32 in dia x 3/8 in long)	1	59	3201B00200	Adaptor	1
20	3202B00170	Connector (lubrication)	1	60	95414/0223	Nipple (3/8 in BSP barrel)	1
+*	915002057	'O' Ring (3 3/8 in o.d. x 3/4 in i.d.)	1	61	3201B00740	Swivel - Water Inlet	1
21	3201B00120	Seal-Water Tube	1	62	3201B00181	Nut	1
22	1002B06950	Washer	1	63	3182B00190	Washer	1
23	3020B00370	Washer	1	+64	915001112	'O' Ring (½ in o.d. x 0.103 in section)	1
24	3201B03250	Plug-Back Head	1	65	3210B00750	Split Ring	2
25	3065C00560	Pawl (ratchet)	4		3204A00220	Backhead Assembly	1
26	3059B00230	Plunger	4	66	3059C02880	Plug (spring retaining)	1
27	3059B00220	Spring	4	67	4068B00060	Spring	1
28	3202C00070	Ratchet Ring	1	68	3059C02890	Washer	1
29	3065B03290	Cap Nut - Side Rod	2	69	3059C02870	Valve	1
30	3201C03090	Side Rod	2	70	3203B00210	Valve Guide	1
31	3201B03050	Washer	1	71	3048B00580	Spring	1
32	914001266	Screw (¾ in UNF x 1 1/8 in long, hex. head)	1	+72	915001008	'O' Ring	1
+33	915001214	'O' Ring (1 in i.d. x 0.139 in section)	2	73	3048B00591	Plunger	1
34	3065C05401	Sleeve	1	74	3204D00120	Tumbler Handle	1
35	3201C03040	Control Handle	1	75	912001014	Nut	1
36	3065B01370	Push Button (complete)	1	76	3181B00200	Bolt	1
37	2025B02440	Spring	1	77	3059C02840	Plunger - Valve Spill	1
	3204B00420	Feed Regulating Valve Assembly	1	78	3065B05340	Valve Spill	1
38	912150014	Nut (7/16 in UNF, nyloc)	1	79	3204F00131	Back Head with Tumbler	1
39	910002007	Washer (7/16 in, plain)	1	80	3202B00330	Spring - Tumbler	1
40	3201B03190	Washer (friction)	1	81	3182B00600	Air Swivel Stem and Nut	1
41	3083B00230	Spring	1				
42	3204C00440	Valve Member	1				

* Not illustrated

+ Nitrile rubber hardness 73°B.S.