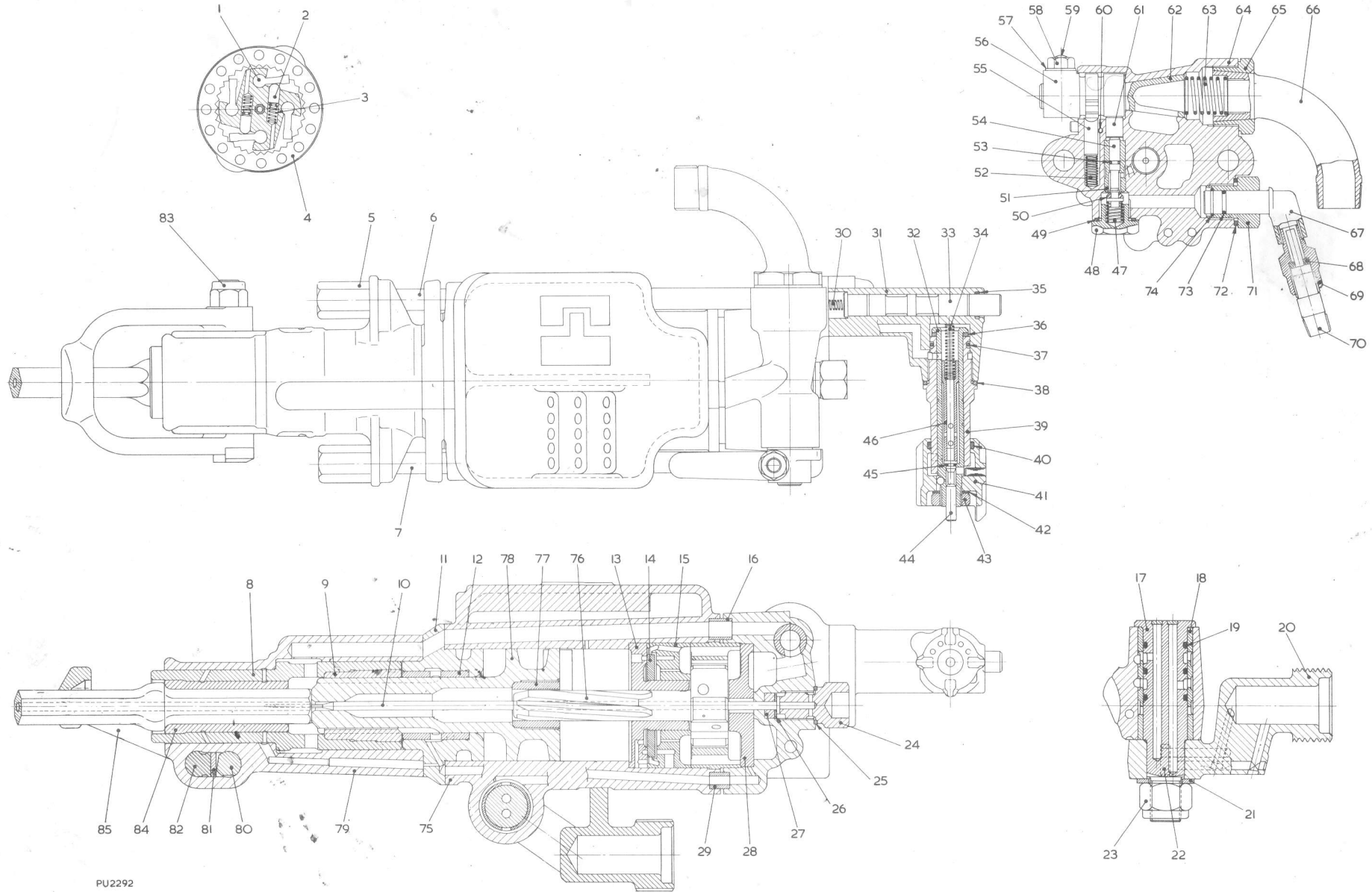


SILVER 900AM INTEGRAL LEG DRILL



**STANDARD BUILDS:- 1 in 30 ROTATION OR 1 in 40 ROTATION (RIGHT HAND) FOR ROCK BOLTING - FORGED OR WIRE RETAINER -
7/8 INCH OR 1 INCH HEX CHUCK BUSH (FOR 3/4 INCH SHANK COLLARED STEEL)**

Ref. No.	Part No.	Name of Part	Qty.	Ref. No.	Part No.	Name of Part	Qty.
PARTS COMMON TO ALL BUILDS							
1.	3065 B 00560	Pawl	4	29	3202 B 00170	Connector (Lubrication)	3
2	3059 B 00230	Plunger	4	30	3201 B 00140	Spring - Retraction Valve	1
3	3059 B 00221	Spring	4	31	3203 D 00250	Control Arm	1
4	3201 C 00071	Ratchet Ring	1	*	902010767	Pin (3/8 in dia x 3/4 in long, groverlok) - Control Arm	1
5	3005 B 00200	Nut - Side Rod	2	+ *	915001012	'O' Ring (3/8 in i.d. x 1/2 in o.d.) - Control Arm Pin	1
6	3005 B 00050	Side Rod	1	x + *	915001010	'O' Ring (1/4 in i.d. x 3/8 in o.d.) - Control Arm Face	2
7	3203 B 00350	Side Rod	1				
8	3065 D 05151	Chuck	1	32	3203 C 00420	Tumbler	1
9	3065 B 05171	Guide Nut	1	33	3201 C 00060	Valve (Retraction)	1
10	3061 B 01120	Water Tube	1	x 34	3203 B 00300	Spring - Pressure Release Valve	1
11	3210 B 00190	Cylinder Washer Assembly (with Liner)	1	35	7015 A 00800	Seal - Wiper	1
12	3065 B 05031	Liner - Cylinder Washer	1	x 36	3203 B 00310	Friction Washer	1
13	3065 C 05100	Front End - Valve Chest	1	x + 37	915001213	'O' Ring (15/16 in i.d. x 1 3/16 in o.d.) - Body	1
14	3201 B 00530	Valve	1	38	3065 B 00930	Washer	1
15	3210 C 00360	Valve Chest	1	39	3203 C 00261	Body - Airleg Control	1
*	902001504	Pin (3/16 in dia x 1 in long, plain) - Valve Chest	1	x + 40	915001216	'O' Ring (1 1/8 in i.d. x 1 3/8 in o.d.)	1
16	3202 B 00160	Connector (Blowing)	1	x *	924070003	Steel Ball (3/16 in dia)	1
17	3201 C 00160	Pin - Machine Mount	1	41	3203 C 00410	Handle	1
18	3065 C 05401	Sleeve - Machine Mount	1	*	902010607	Pin (1/4 in dia x 5/8 in long, groverlok) - Handle	1
+ 19	915001214	'O' Ring (1 in i.d. x 1 1/4 in o.d.) - Machine Mount Pin	3	42	910007019	Lock Washer (5/8 in U.N.F., internal shakeproof)	1
20	3201 D 00150	Machine Mount	1	43	912003017	Nut (5/8 in U.N.F.)	1
21	910002014	Washer (7/8 in, bright steel)	1	44	3202 B 00430	Valve (Pressure Release)	1
22	911003017	Key (1/4 in x 1 in Woodruff) - Machine Mount Pin	1	45	915001010	'O' Ring (1/4 in i.d. x 3/8 in o.d.) - Pressure Release Valve	1
23	912150019	Nut (7/8 in U.N.F. Nyloc)	1	46	3203 B 00340	Spill - Pressure Release Valve	1
24	3201 B 00100	Plug - Water Tube	1	-	3211 A 00230	Back Head Assembly	1
25	3020 B 00370	Washer - Water Tube Plug	1	47	4068 B 00060	Spring	1
26	1002 B 06950	Washer - Seal	1	48	3059 C 02880	Plug (Spring Retaining)	1
27	3201 B 00120	Seal - Water Tube	1	49	3059 C 02890	Washer	1
28	3210 C 00050	Collector (Lubrication)	1	50	3059 C 02870	Valve	1
*	902010580	Pin (7/32 in dia x 3/8 in long, groverlok) - Lubrication Collector	1	51	3059 C 00210	Valve Guide	1

* Not illustrated

+ Nitrile rubber hardness 73° B.S.

x These items are available as an airleg control Seal Kit, part number 3215 A 00540

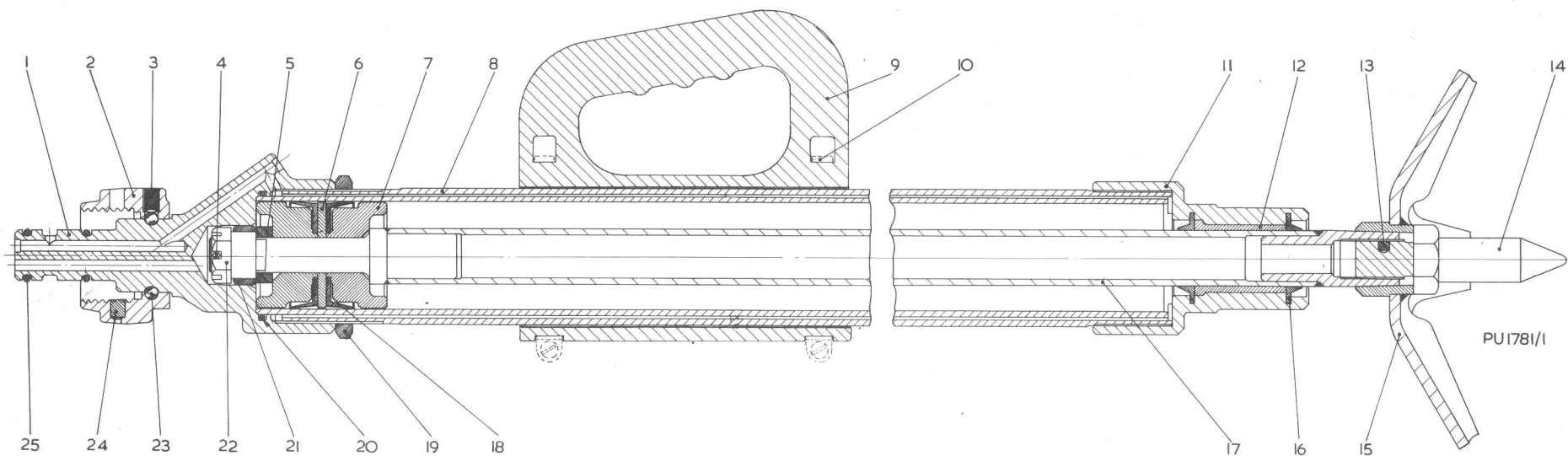
Ref. No.	Part No.	Name of Part	Qty.
52	3048 B 00580	Spring	1
+53	915001008	'O' Ring (3/16 in i.d. x 5/16 in o.d.)-	
		Valve Spill	1
54	3065 B 05340	Valve Spill	1
55	3048 B 00591	Plunger	1
56	3211 D 00121	Handle - Tumbler	1
57	910009016	Washer (7/16 in, external shakeproof)	1
58	912001014	Nut (7/16 in U.N.F.)	1
59	3181 B 00200	Bolt	1
60	902010459	Pin (5/32 in dia x 3/4 in long, groverlok)	1
61	3059 C 02840	Plunger - Valve Spill	1
62	3201 C 00540	Tumbler	1
63	3211 A 00020	Spring - Tumbler	1
64	3211 F 00131	Back Head	1
-	3210 B 00160	Air Swivel Stem and Nut Assembly	1
65	3210 B 00140	Nut - Air Inlet Stem	1
66	3210 B 00150	Stem (Air Inlet)	1
-	3201 A 00240	Water Inlet Swivel Assembly	1
67	3201 B 00190	Swivel	1
68	3201 B 00290	Filter	1
69	3201 B 00200	Adaptor	1
70	918037003	Barrel Nipple (3/8 in B.S.P.)	1
71	3201 B 00180	Nut	1
72	3182 B 00190	Washer	1
+73	915001112	'O' Ring (1/2 in i.d. x 11/16 in o.d.)-	
		Swivel	1
74	3201 A 00210	Ring	1
75	3211 D 00440	Cylinder	1

Ref. No.	Part No.	Name of Part	Qty.
OTHER PARTS REQUIRED			
For 1 in 30 Rotation			
-	3210 A 00510	Rotation Group	1
76	3210 C 00420	Rifle Bar	1
77	3065 B 00051	Rifle Nut	1
78	3201 C 00510	Piston	1
For 1 in 40 Rotation (Right Hand)			
-	3210 A 00480	Rotation Group	1
76	3204 C 00310	Rifle Bar	1
77	3204 B 00320	Rifle Nut	1
78	3201 C 03320	Piston	1
For Forged Retainer			
79	3065 D 06470	Front - Cover	1
80	3206 C 00340	Bolt - Retainer	1
81	3206 B 00540	Plate	1
82	3206 B 00510	Compression Pad	1
83	912150015	Nut (1/2 in U.N.F.) - Retainer Bolt	1
84	3065 C 06221	Chuck Bush	1
85	3206 C 00330	Retainer	1
		7/8 in hex	
84	3065 D 02261	Chuck Bush	1
85	3206 C 00320	Retainer	1
		1 in hex	
For Wire Retainer			
*	3065 D 05141	Front Cover	1
*	3065 B 01530	Bush - Retainer	1
84	3065 C 06221	Chuck Bush	1
*	3065 C 01540	Retainer	1
		7/8 in hex	
84	3065 D 02261	Chuck Bush	1
*	3065 C 01790	Retainer	1
		1 in hex	

* Not illustrated

+ Nitrile rubber hardness 73° B.S.

AIRLEG



Ref. No.	Part No.	Name of Part	Qty.	Ref. No.	Part No.	Name of Part	Qty.
—	3201 F 00451	Airleg (2 5/8 in bore x 52 in feed), comprising:-	1	12	3055 B 01480	Liner	1
1	3055 D 02230	End Cap (Front)	1	13	3055 B 01800	Plug - Spike	1
2	3055 B 01860	Nut - Swivel Head	1	14	3055 B 10790	Spike	1
3	914060064	Setscrew (5/16 in U.N.F. x 1/2 in long, hex socket, cup point)	1	15	3055 D 01782	Sprag	1
4	902005414	Split Pin (1/8 in dia x 1 1/2 in long)	1	16	3055 B 01450	Seal	2
5	3038 B 00050	Washer	1	17	3055 D 01391	Piston	1
6	3055 B 01520	Spacer - Packing	1	18	3055 B 01440	Packing - Piston	2
7	3055 C 01511	Washer - Packing	2	19	3055 B 02240	Lock Nut - Front End Cap	1
8	3055 D 01430	Cylinder	1	+20	915001233	'O' Ring (2.7/8 in i.d. x 3.1/8 in o.d.)	1
9	3055 F 02370	Handle (Lifting)	1	21	3038 B 00210	Ring	1
10	920001013	Clip (to B.S.3628 400S) - Lifting Handle	1	22	3038 B 04990	Nut - Piston	1
11	3055 D 01470	End Cap (Rear)	1	23	924070005	Ball (1/4 in dia, steel)	20
				24	3055 B 02130	Plug	1
				+25	915001212	'O' Ring (7/8 in i.d. x 1 1/8 in o.d.)	2

+ Nitrile rubber hardness 73° B.S.