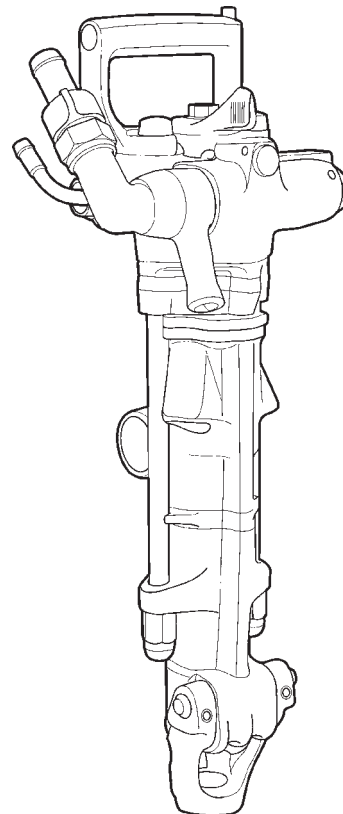


Spare parts list

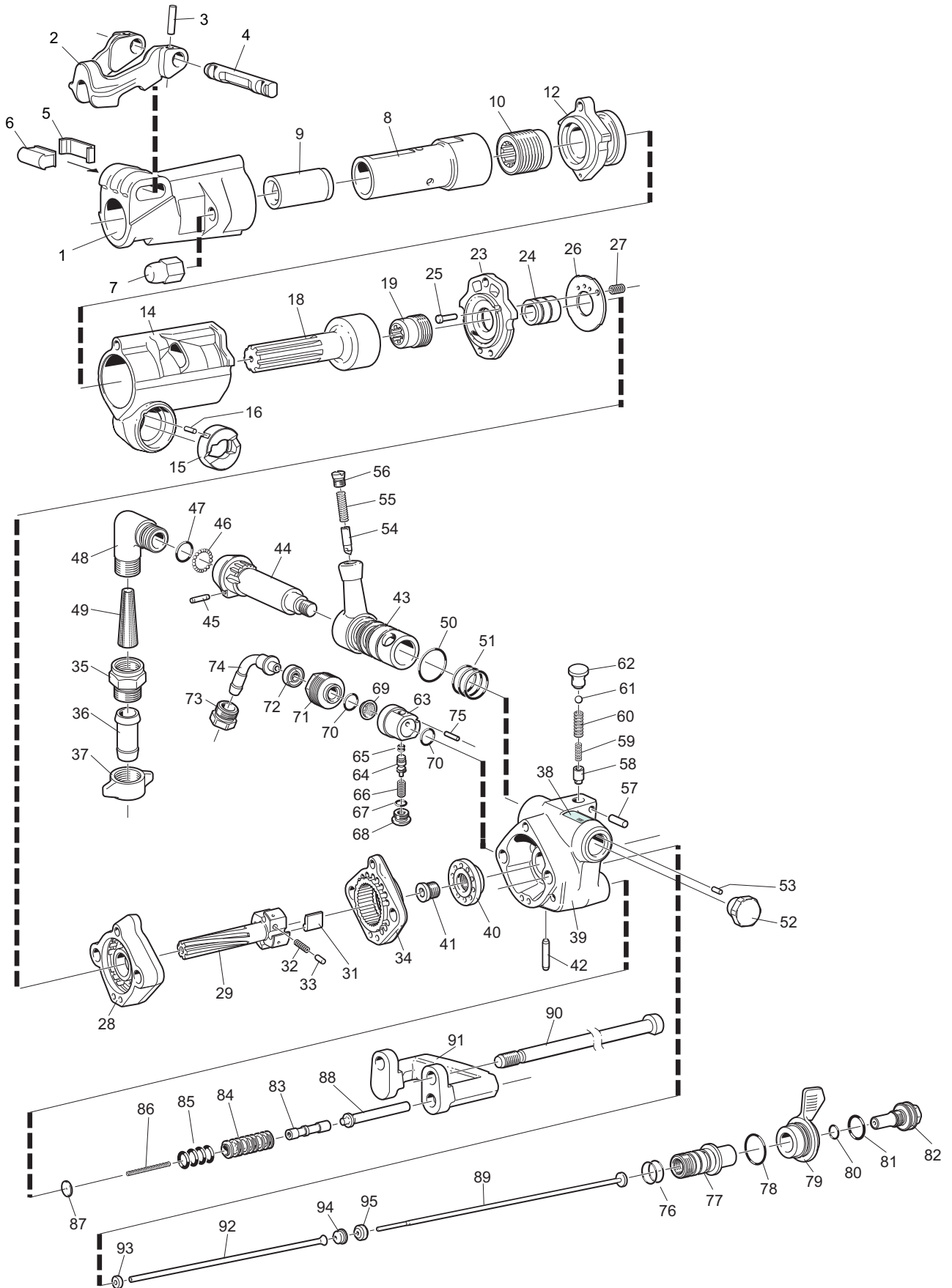
Pusher leg rockdrills



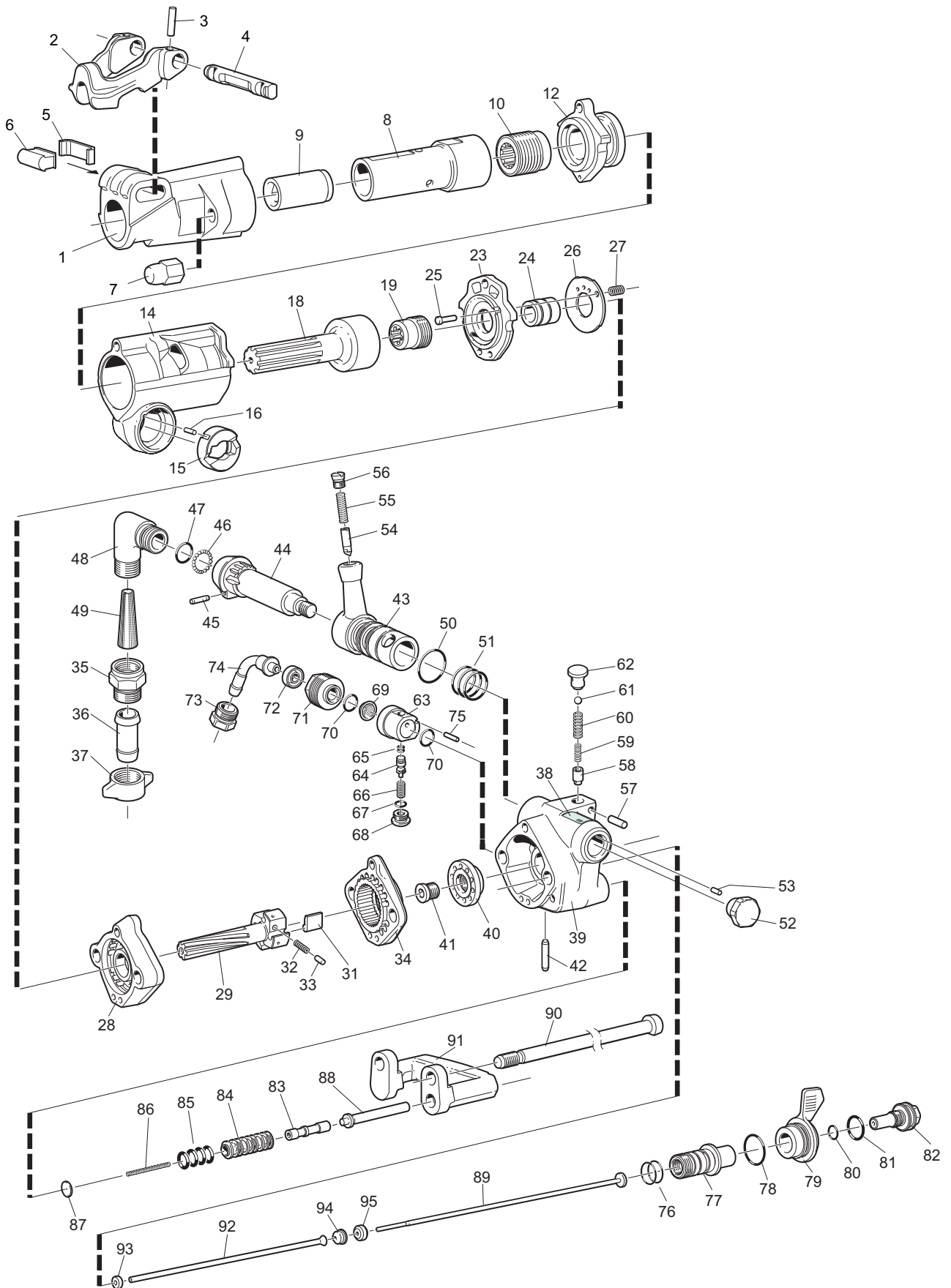
Contents

BBC16W/WS Rock drill - 8311 0401 10/8311 0303 46	4
Seal kit - 3121 5000 90	10
Side bolt kit - 3121 5000 26	10
Silencer kit - 3121 5000 37	10
Optional equipment for BBC16W/WS	11
Airline accessories	11

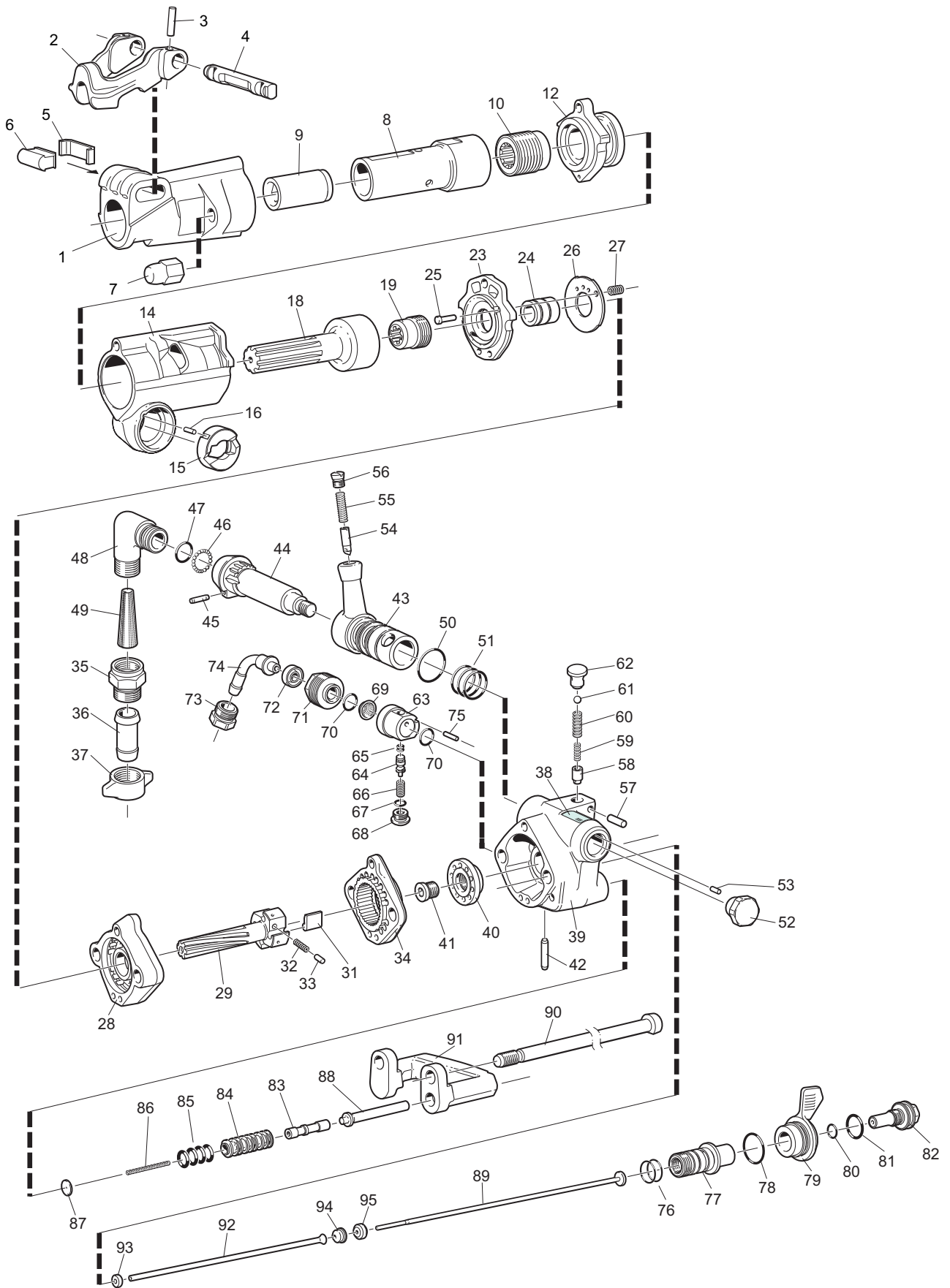
BBC16W/WS Rock drill - 8311 0401 10/8311 0303 46



No.	Description	Dimensions	Quantity	Ordering No.
1	Front head housing		1	3121 0154 00
2	Drill steel retainer		1	3121 0851 00
3	Tension pin		2	0108 3392 00
4	Retainer pin		1	3115 2925 00
5	Buffer plate		1	3121 0029 00
6	Buffer		1	3121 0030 00
7	Side bolt nut		2	3121 0872 00
(8-10)	Rotation chuck assembly			3121 0826 80
8	Rotation chuck		1	
9	Rotation chuck bushing	22 x 108 mm (7/8 x 4-1/4")	1	3121 0824 00
10	Chuck nut		1	3115 1220 00
12	Intermediate part		1	3121 0158 00
(14-16)	Cylinder assembly			3121 0680 80
14	Cylinder		1	
15	Washer		1	3121 0599 00
16	Pin		1	0101 1274 00
(18-19)	Piston assembly			3121 0159 80
18	Piston		1	
19	Rifle nut		1	3121 0160 00
23	Cover		1	3121 0162 00
24	Bushing		1	3121 0163 00
25	Guide pin		1	3121 0164 00
26	Main valve		1	3121 0166 00
27	Pressure spring		1	3121 0165 00
28	Valve casing		1	3121 0167 01
29	Rifle bar		1	3121 0170 00
(31-33)	Pawl assembly		1	3115 9200 90
31	Pawl		4	3101 3159 00
32	Pressure spring		4	3100 9140 02
33	Pawl pin		4	3100 9641 01
34	Ratchet box		1	3121 0168 00



No.	Description	Dimensions	Quantity	Ordering No.
35	Adapter		1	3000 5825 03
36	Hose nipple	25 mm (1")	1	9000 0326 00
37	Wing nut		1	9000 0339 00
38	Data plate		1	3115 2718 00
(39-82)	Back head kit		1	3121 0597 83
39	Back head housing		1	3121 0597 00
	Thread insert	M42 x 1.5 x 13	1	0259 0450 00
40	Guide ring		1	3121 0592 00
41	Stop screw		1	3121 0604 00
42	Valve pin		1	3121 0586 00
(43-44)	Throttle valve with inlet plug assembly		1	3121 0489 80
43	Throttle valve		1	
44	Inlet plug		1	
45	Pin		1	3121 0595 00
46	Bearing ball		20	0517 1108 00
47	O-ring		1	0663 2128 00
48	Inlet air nipple	25 mm (1")	1	3121 0521 00
49	Strainer		1	3121 0513 00
50	O-ring		1	0663 2135 00
51	O-ring		3	0663 2132 00
52	Plug		1	3121 0493 00
53	Pin		1	0101 1274 00
54	Ratchet pin		1	3121 0490 00
55	Spring		1	3121 0491 00
56	Plug		1	3121 0492 00
57	Pin		1	3121 0595 00
58	Pin		1	3121 0558 00
59	Spring		1	3121 0564 00
60	Spring		1	3121 0737 00
61	Bearing ball		1	0517 1414 00
62	Valve seat		1	3121 0736 00
63	Valve housing		1	3121 0495 81
(64-65)	Valve body assembly		1	3121 0713 80
64	Valve body		1	
65	O-ring		2	0663 2112 00
66	Pressure spring		1	3121 0497 00
67	O-ring		1	0663 2122 00
68	Plug		1	3121 0714 00
69	Water strainer		1	3121 0501 00
70	O-ring		2	0663 2125 00
71	Adapter		1	3121 0716 00
72	Gasket		1	3100 9653 00
73	Adapter		1	3121 0857 00
74	Inlet water nipple	12.5 mm (1/2")	1	3121 0854 00
75	Tubular pin		1	0108 1298 00



No.	Description	Dimensions	Quantity	Ordering No.
76	O-ring		2	0663 6129 00
77	Flushing tube bushing		1	3121 0731 00
78	O-ring		1	0663 2132 00
79	Lever		1	3121 0557 00
80	O-ring		1	0663 2122 00
81	O-ring		1	0663 9184 00
82	Plug		1	3121 0585 00
(83-85)	Valve kit		1	3121 0726 80
83	Valve		1	
84	Valve liner		1	
85	O-ring		4	0663 2124 00
86	Spring		1	3121 0725 00
87	Washer		1	3121 0724 00
88	Valve pin		1	3121 0675 00
89	Water flushing tube		1	3121 0390 00
90	Side bolt		2	3121 0179 00
91	Handle		1	3121 0674 00
92	Air flushing tube		1	3121 0590 00
93	Rubber gasket		1	3000 0121 00
94	Rubber gasket		1	3100 9646 00
95	Guide ring		1	3121 0776 00

Seal kit - 3121 5000 90

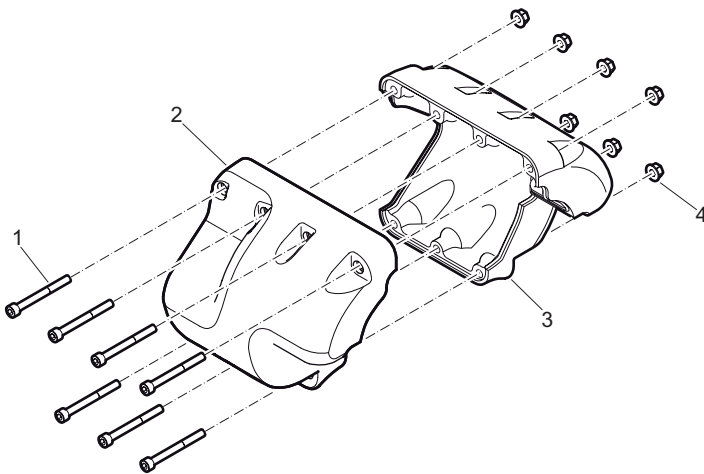
Description	Dimensions	Quantity	Ordering No.
Seal kit		1	3121 5000 90
O-ring		2	0663 2112 00
O-ring		2	0663 2122 00
O-ring		4	0663 2124 00
O-ring		2	0663 2125 00
O-ring		1	0663 2128 00
O-ring (for the coupling on Pusher leg)		3	0663 2132 00
O-ring		1	0663 2135 00
O-ring		2	0663 6129 00
O-ring		1	0663 9184 00
Rubber Gasket		1	3000 0121 00
Rubber Gasket		1	3100 9646 00
Gasket		1	3100 9653 00

Side bolt kit - 3121 5000 26

Description	Dimensions	Quantity	Ordering No.
Side bolt kit		1	3121 5000 26
Nut		2	3121 0872 00
Side bolt		2	3121 0179 00

Silencer kit - 3121 5000 37

No.	Description	Dimensions	Quantity	Ordering No.
(1-4)	Silencer kit		1	3121 5000 37
1	Screw		7	0211 1257 00
2	Silencer half, right		1	3115 3348 00
3	Silencer half, left		1	3115 3349 00
4	Flange nut		7	9232 0207 50



Optional equipment for BBC16W/WS

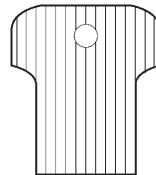
Description	Dimensions	Ordering No.
Piston	(+ 0.03 mm)	3121 0159 01
Compressed air hose with fitted couplings	25 mm (1")	9030 2051 00
Water flushing hose with fitted couplings	12.5 mm (½")	9030 2069 00
Lubricator BLG30 for mineral oil		8202 5102 05
Lubricator CLG30 for mineral/synthetic oil		8202 5102 39
Water separator, VAM 5A	<120 l/s (254 cfm)	8092 0110 82
Air line accessories for 25 mm (1")		
Rubber hose	25 mm (1") 30 m (100 ft)	9030 2041 00
Claw coupling	For 25 mm (1") hose	9000 0313 00
Two-piece hose clamp	For 25 mm (1") hose	9000 0197 00

Airline accessories

Description	Dimensions	Ordering No.
Lubricator BLG30 for mineral oil		8202 5102 05
Lubricator CLG30 for mineral/synthetic oil		8202 5102 39
Water separator, VAM 5A	<120 l/s (254 cfm)	8092 0110 82
Rubber hose, 25 mm (1")	25 mm (1") 30 m (100 ft)	9030 2041 00
Claw coupling for 25 mm (1") hose		9000 0313 00
Two-piece hose clamp for 25 mm (1") hose		9000 0197 00
Pressure gauge for compressed air (including Needle set 9090 0678 90)		9090 0550 80
Extra needle set		9090 0678 90
Chuck bushing gauge for hexagon shank	22 mm (7/8")	3091 0038 00



Pressure gauge for compressed air



Chuck bushing gauge for hexagon shank



Any unauthorized use or copying of the contents or any part thereof is prohibited.
This applies in particular to trademarks, model denominations, part numbers and drawings.

© 2007 Atlas Copco Construction Tools AB, Stockholm, Sweden | No. 9800 0670 01a | 2007-09-19